



Sink

## S3000

Sink - 1 bowl - FILOTOP Edge - for flush-mount (FT) or over-mount (FTS) installation

Code: 1114 061 DX (Scarico a destra)

Code: 1114 062 SX (Scarico a sinistra)

## Product Details

Materials/Finishes	Foster-brushed finish AISI 304 stainless steel
Cabinet	45 cm
Dimensions	454x454 mm
Edge/Installation Type	FILOTOP Edge - for flush-mount (FT) or over-mount (FTS) installation
Cut out	Vedi scheda tecnica
Number of bowls	1 bowl
Bowl dimension	400x400 mm
Waste fitting	3,5" waste
Mixer holes	No standard tap hole
Standard fittings	fixing brackets, gasket, waste fitting, overflow and siphon. Packing: single carton box.

## Features

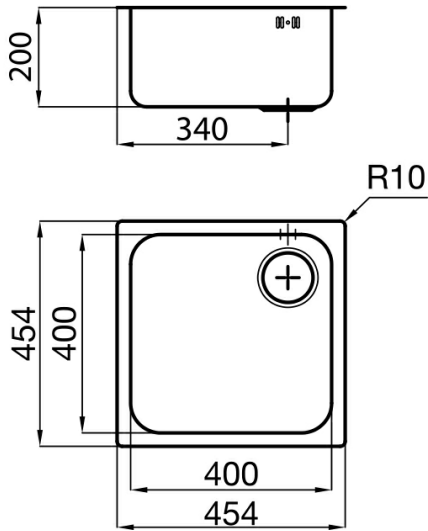


Deep bowls

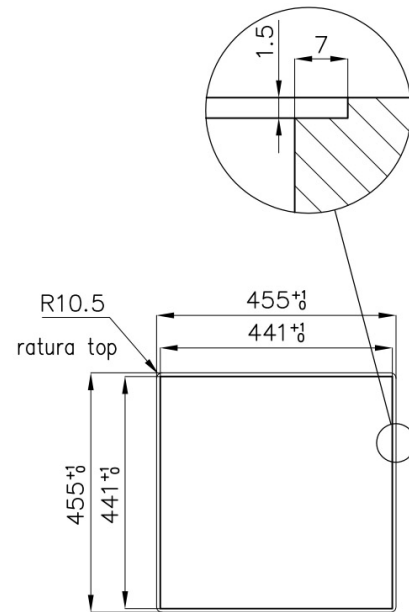


Basket 3,5" waste fitting

Dimensions



Cut out drawing



Optional accessories



iroko-wood sliding  
chopping board 8644  
041



glass chopping board  
8631 300



hpde chopping board  
8657 001



hpde twin chopping  
board 8644 101



iroko-wood chopping  
board with stainless  
steel colander 8644  
042



graters kit with ring-  
holder and food  
collection tray 8159  
101



white bowl 8153 100



cestello inox 8612  
000



stainless steel plate  
rack 8100 303

Optional automatic waste fittings



automatic waste fitting 8407 000



automatic waste fitting 8407 100



lira automatic waste fitting 8407  
102



lira automatic waste fitting 8407  
103

20-02-2019 11:27:07